

# TBR30N Series

Tow Truck  
AC Power • **3.0 tonnes**

**TBR30N**

## Versatile pulling power... and class-leading ergonomics

With a wealth of ergonomic and safety features, the TBR30N tow truck blends operator comfort, precision control and sheer strength to deliver efficient and reliable performance. Among many innovations is the model's user-friendly Maxius steering wheel and controls, which are combined with progressive steering, automatic speed reduction when cornering and automatic drive wheel centring to ensure total confidence when manoeuvring at all speeds.

Designed for indoor use, primarily within the automotive sector, the versatile TBR30N promises exceptional productivity. Its spacious, uncluttered operator compartment gives easy walk-through access, while its large, non-slip working platform acts as a 'deadman' pedal – allowing movement only when an operator stands on it. Speed and other parameters can be programmed to suit the application and the operator. Maximum drive speed is 12 km/h when the operator is riding but a safe limit of 2.5km/h is automatically set when the truck is switched to walk-beside mode.

### Frame and body

- **Low centre of gravity** adds further stability, for safer operation.
- **Robust construction** offers exceptional durability in all working conditions.

### Drive

- **Powerful AC drive** means high drive speed (up to 12km/h) and acceleration – even when loaded – plus smooth, quiet, controlled operation, extended shift length and lower maintenance requirements.
- **Suspended drive unit** ensures a comfortable ride.

### Steering system

- **Advanced electric steering** allows precise control at all speeds, with automatic speed reduction in curves and automatic drive wheel centring.
- **Small turning circle** together with responsive steering and compact chassis results in exceptional manoeuvrability.

### Brakes

- **Regenerative braking** gives effective control, with no brake wear, and extends shift life.
- **Automatic speed reduction at corners** improves safety.

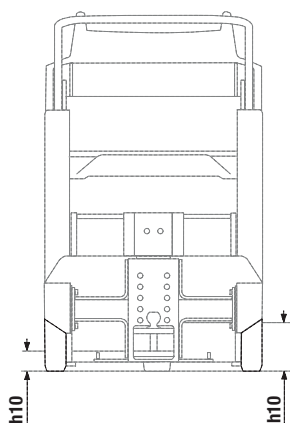
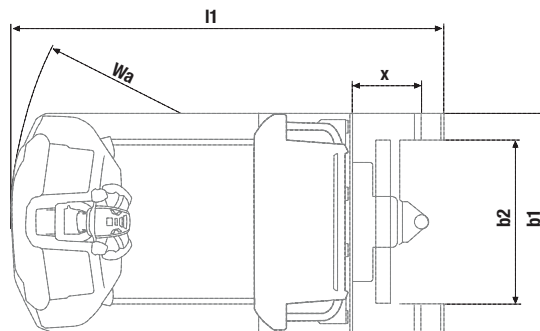
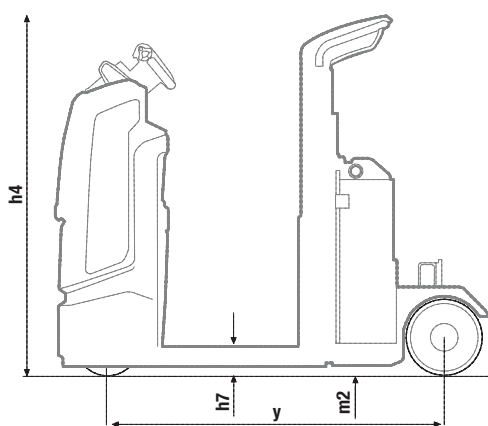


# TBR30N

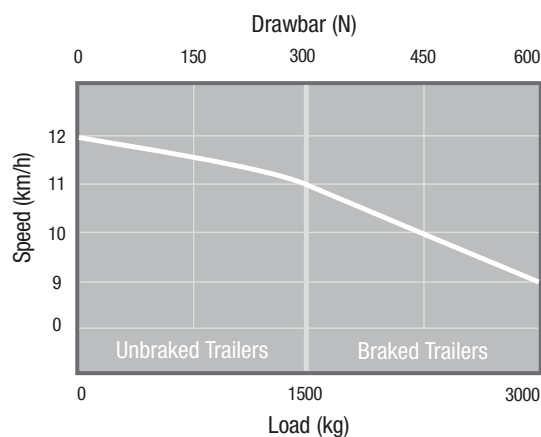
## Tow Truck • 3.0 tonnes

Characteristics			
1.1	Manufacturer (abbreviation)		Mitsubishi
1.2	Manufacturer's model designation		TBR30N
1.3	Power source: (battery, diesel, LP gas, petrol)		Electric
1.4	Operator type: pedestrian, (operator) standing, seated		Stand-on
1.7	Rated drawbar pull	F(N)	600
1.9	Wheelbase	y (mm)	1256
Weights			
2	Service weight incl. battery	kg	900
2.1	Axle loading, unladen front/rear	kg	414/486
Wheels and Tyres			
3.1	Tyres: V=solid, L=pneumatic, SE=solid pneumatic – front/rear		Vulkollan
3.2	Tyre dimensions, front		253x85
3.3	Tyre dimensions, rear		285x75
3.5	Number of wheels, front/rear (x=driven)		1x/2
3.7	Track width, rear	b11 (mm)	710
Dimensions			
4.8	Seat height/Stand height	h7 (mm)	105
4.12	Coupling height	h10 (mm)	75.5(+7x41.5)
4.19	Overall length	l1 (mm)	1613
4.21	Overall width	b1/b2 (mm)	810/610
4.32	Ground Clearance, centre of wheel base	m2 (mm)	35
4.35	Turning radius	Wa (mm)	1450
Performance			
5.1	Travel speed, with/without load	km/h	See diagram
5.5	Drawbar pull, with/without load	N	See diagram
5.6	Max. drawbar pull, with/without load	N	3000
5.7	Gradeability, with/without load	%	5/15
5.8	Max. gradeability, with/without load	%	See diagram
5.10	Service brake		Electric
Electric motor			
6.1	Drive motor rating S2 60 min.	KW	2.2
6.4	Battery voltage, nominal capacity K5	V/Ah	24/375-465
6.5	Battery weight	kg	280-375
Miscellaneous			
8.1	Type of drive control		Stepless
8.4	Sound level at driver's ear acc. to DIN12053	dB(A)	66

Continuing improvement may lead to changes in these specifications.



Maximum speed with various loads





Maxius steering wheel



Spacious walk-through cabin



Easy access to battery



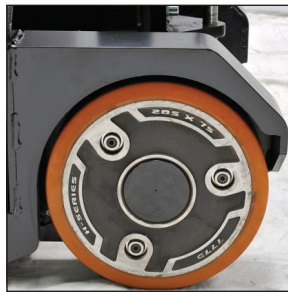
Quick-change battery locking



Non-slip platform



Versatile, adjustable tow coupling



Large, wear-resistant wheels



Clear and comprehensive display

### Electrical and control systems

- **Programmable controller** adjusts acceleration, travel speed and braking to suit the application and operator – for great versatility.
- **High-capacity battery** ranging from 375-465 Ah extends shifts.
- **Battery rollers and fast battery lock** ensure rapid changeovers.
- **On-board diagnostics** and fault memory folder speed up servicing and help prevent damage.
- **High intensity LED lighting** switches on automatically – for 'see-and-be-seen' safety.
- **Turn indicators** give clear signals to pedestrians and other traffic - reducing risk of collision.
- **PIN-code access** prevents unauthorised use of the truck.

### Operator environment and controls

- **Maxius steering wheel** offers the ultimate in ergonomics, comfort and design, with all operating controls easily in reach.
- **Single-handed steering** allows operator to turn around for a better view when manoeuvring in reverse.

- **Walk-through cabin** with low step height and chamfered platform edges gives easy entry to spacious operator area from both sides.
- **Clear display alerts** operators and service engineers to potential problems – helping to avoid damage and encourage maintenance.
- **Suspended floor** with textured rubber surface absorbs shocks and prevents slipping.
- **Walk-beside option** ensures easy coupling and uncoupling.
- **Comfortable backrest** reduces driver fatigue.

### Other features

- **Rapid access features** give quick and easy entry to all areas for checks and maintenance.
- **600 hour service interval** reduces downtime and service costs.
- **Adjustable height couplings** offer increased functionality.

### Options

- **Electric rear-wheel brakes**
- **Battery changing device**
- **360-degree electric steering**
- **Adjustable folding seat**
- **Side-mounted push-button drive controls**
- **Customer name/logo/artwork on side panels**



# when reliability is everything...

Like any product bearing the Mitsubishi name, our materials handling equipment benefits from the huge resources and cutting-edge technology of one of the world's largest corporations. So when we promise you **quality, reliability and value for money**, you know it's a guarantee we have the power to deliver.

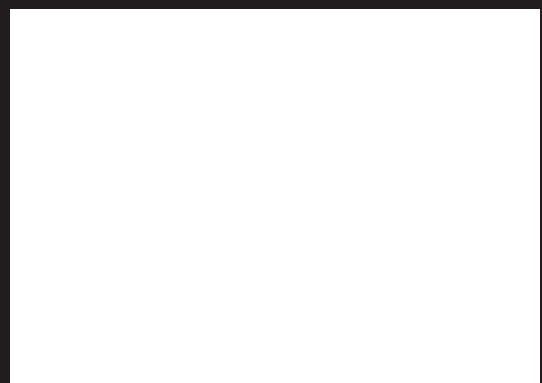
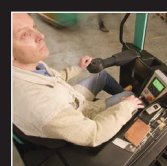
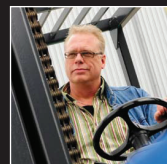
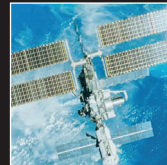
Every model in our comprehensive, award-winning range of forklift trucks and warehouse equipment is built to a high specification and is designed to keep on working for you... day after day... year after year... whatever the job... whatever the conditions.

To ensure your truck stays in constant productive action, we have a network of local dealers – hand-picked for their commitment to customer care... and backed up by the Mitsubishi Forklift Trucks organisation. No matter where you are, we have a dealer close by – ready and willing to meet your needs.

That friendly local service covers everything from identifying the perfect model and configuration for your application to providing competitive, flexible finance and maintenance packages, unbeatable warranties, long and short term hire, and highly responsive field service and repairs... as well as the industry's quickest and most reliable parts supply.

Only Mitsubishi can give you this combination of global engineering excellence and outstanding local support... only Mitsubishi offers you such a quality product at such an affordable price... and only Mitsubishi places reliability as high as you do in its priorities. Contact your local dealer now and see what Mitsubishi can do for you.

You can find your nearest dealer at [www.mitforklift.com](http://www.mitforklift.com)



WEGM1193 (11/09)  
© 2009 MCFE  
Printed in The Netherlands

[mitforklift@mcf.nl](mailto:mitforklift@mcf.nl) [www.mitforklift.com](http://www.mitforklift.com)

NOTE: Performance specifications may vary depending on standard manufacturing tolerances, vehicle condition, types of tyres, floor or surface conditions, applications or operating environment. Trucks may be shown with non-standard options. Specific performance requirements and locally available configurations should be discussed with your distributor of Mitsubishi forklift trucks. Mitsubishi follows a policy of continual product improvement. For this reason, some materials, options and specifications could change without notice.